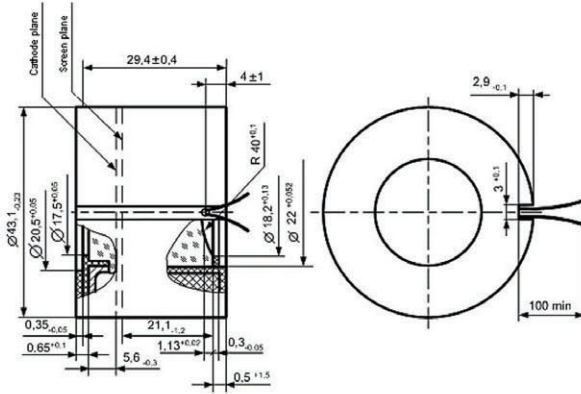


Small size Generation 2+/3 image intensifier with inverse image transfer.

These tubes have a microchannel plate, a photocathode made of multialkali metal (Gen. 2+) or GaAs (Gen.3), a yellow-green color screen, and a built-in power supply. Input window is made of flat surface glass; output window is made of concave 180° rotation fibre optic element.

This type of tubes complies with all relevant military standards and specifications.



'Fat' ANVIS inverting tube compatible with DN 482 and many other devices

IMAGE INTENSIFIER TUBES

SPECIFICATIONS

	NC064329IC	NCXT4329IC	N3064329IC	N3XT4329IC
Grade	HD	XT	HD	XT
Photocathode operating diameter, mm	18	18	18	18
Photocathode material	S-25	S-25	GaAs	GaAs
Resolution, lp/mm	51-54	57-64	45-57	57-64
Photocathode sensitivity, µA/lm	500-600	600-750	1,200-2,100	1,500-2,100
Light gain, min	25,000	25,000	25,000	25,000
Image magnification	1	1	1	1
Dark background brightness, max, cd/m ²	1.5x10 ⁻³	1.5x10 ⁻³	1.5x10 ⁻³	1.5x10 ⁻³
Signal-to-noise ratio	16-20	18-22	18-24	20-24
Current consumption, max, mA	16	16	25	25
Voltage, V	2.8 ± 0.8	2.8 ± 0.8	2.8 ± 0.8	2.8 ± 0.8
Weight, g	85	85	85	85
Mean time before failure, hours	10,000	10,000	10,000	10,000
Storage time, years	15	15	15	15

Environmental resistance

Sinusoidal vibration (vibration strength):	
Frequency range, Hz	1-500
Acceleration, m/s ² (g)	50 (5)
Mechanical shocks:	
Shock, m/s ² (g)	5,000 (500)
Operating temperature range, °C	-50 ... +55

Modulation transfer function

Frequency, lp/mm	HD grade	XT grade
2.5	0.89	0.88
7.5	0.68	0.72
15.0	0.40	0.50

Field of view cleanness

Zone Number	Circular zone Dimensions, mm	Maximum diameter of defects			Accepted total area of defects, mm ²
		Neglected	Accepted		
			Diameter, mm	Quantity	
1	0 - 9.0	0.06	0.12	1	0.10
2	9.0 - 14.5	0.08	0.18	1	0.20
3	14.5 - 18.0	0.10	0.20	2	0.35