

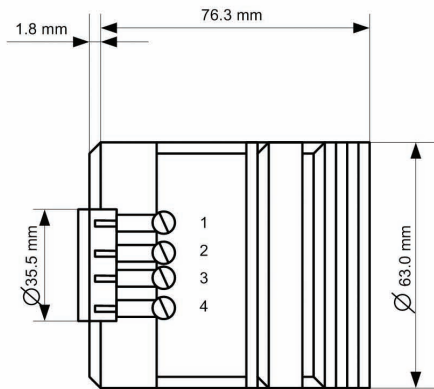
The NC107663IF enhanced image intensifier tube can boost performance of such well known systems as AN/PVS-4 weapon sight, M-32/M36 passive night vision elbow, AN/TVS-5 weapon sight, and other devices equipped with the original MX 9644 tube to the new levels. This tube is fully compatible with their optical, mechanical and electrical interfaces and can be installed by maintenance personnel via the routine tube replacement procedure.

This tube will extend operational life of the unit and upgrade its performance to the levels of the systems currently procured for military use. The tube comprises a fiber optic faceplate, a microchannel plate (MCP) current amplifier, and a phosphor screen.

Advanced automatic brightness control covers over five orders of magnitude of input illumination providing constant output image brightness. Manual brightness adjustment is also available.

Sophisticated power supply has built-in photocathode protection against bright light exposure.

The tube complies with all relevant military standards and specifications.



25 mm inverting tube
Compatible with AN/PVS 4,
AN/PVS 5 and many other devices

FEATURES:

- Improved range performance
- Higher photo response, resolution and S/N ratio
- Long operational life
- Instantaneous flash response recovery
- Auto brightness control
- Bright light protection

SPECIFICATIONS

Photocathode operating diameter	24.5 mm
Resolution	30-36 lp/mm
Photocathode sensitivity	220-650 $\mu\text{A}/\text{lm}$
Signal-to-noise ratio	3-10
EBI, max	$2.5 \times 10^{-11} \text{ lm}/\text{cm}^2$
Light gain, @ $2 \times 10^{-6} \text{ fc}$	50,000-90,000 fl/fc
Tube life	2,000 h
Input current	35 mA