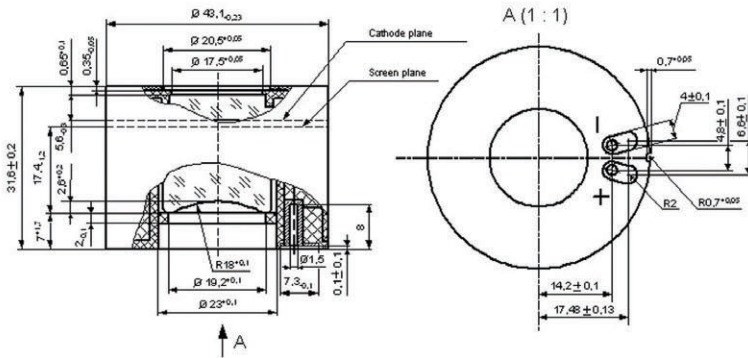


Small size Generation 2+/3 image intensifier series with direct image transfer.

These tubes have a microchannel plate, a photocathode made of multialkali metal (Gen. 2+) or GaAs (Gen.3), a yellow-green color screen, and a built-in power supply. Input window is made of flat surface glass; output window is made of a concave fiber optic element with straight image transfer.

This type of tubes complies with all relevant military standards and specifications.



ANVIS tube is compatible with AN/PVS 7 and many other devices

**SPECIFICATIONS**

	NC064331SC	NCXT4331SC	N3064331SC	N3XT64331SC
Grade	HD	XT	18	XT
Photocathode operating diameter, mm	18	18	GaAs	18
Photocathode material	S-25	S-25	45-57	GaAs
Resolution, lp/mm	51-54	57-64	1,200-2,100	57-64
Photocathode sensitivity, $\mu\text{A}/\text{lm}$	500-600	600-750	25,000	1,500-2,100
Light gain, minimum	25,000	25,000	1	25,000
Image magnification	1	1	0.5x10 <sup>-3</sup>	1
Dark background brightness, max, $\text{cd}/\text{m}^2$	1.5x10 <sup>-3</sup>	1.5x10 <sup>-3</sup>	18-24	0.5x10 <sup>-3</sup>
Signal-to-noise ratio	16-20	20-23	30	18-24
Current consumption, max, mA	25	25	2.8 ± 0.8	30
Voltage, V	2.8 ± 0.8	2.8 ± 0.8	90	2.8 ± 0.8
Weight, g	90	90	10,000	90
Mean time before failure, hours	10,000	15,000	15	10,000
Storage time, years	15	15		15

**Environmental resistance**

<b>Sinusoidal vibration (vibration strength):</b>	
Frequency range, Hz	1-500
Acceleration, $\text{m}/\text{s}^2$ (g)	50 (5)
<b>Mechanical shocks:</b>	
Shock, $\text{m}/\text{s}^2$ (g)	5,000 (500)
Operating temperature range, °C	-50 ... +55

**Modulation transfer function**

Frequency, lp/mm	HD grade	XT grade
2.5	0.89	0.88
7.5	0.68	0.72
15.0	0.40	0.50

**Field of view cleanness**

Zone Number	Circular zone Dimensions, mm	Maximum diameter of defects			Accepted total area of defects, $\text{mm}^2$
		Neglected	Accepted		
			Diameter, mm	Quantity	
1	0 - 9.0	0.06	0.12	1	0.10
2	9.0 - 14.5	0.08	0.18	1	0.20
3	14.5 - 18.0	0.10	0.20	2	0.35